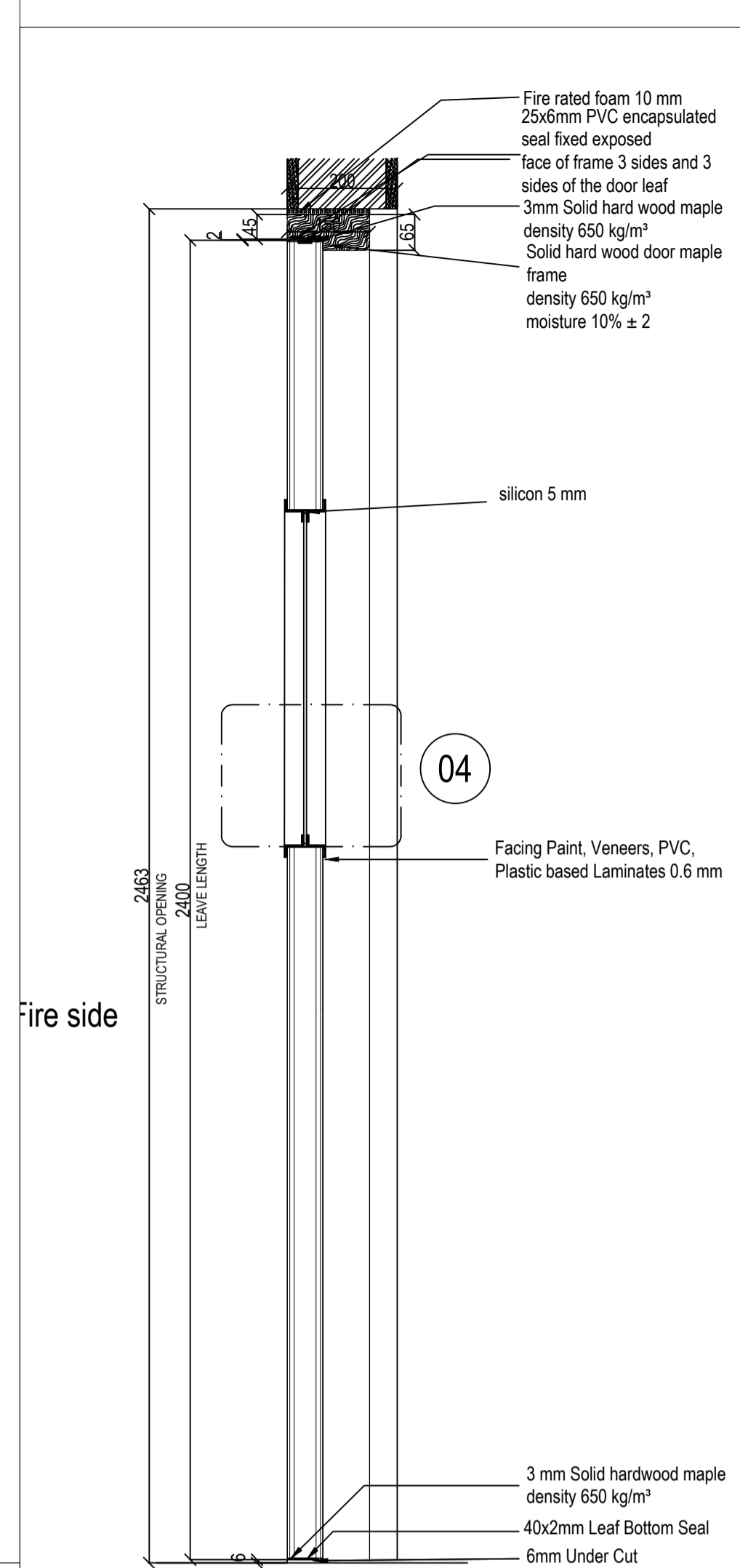
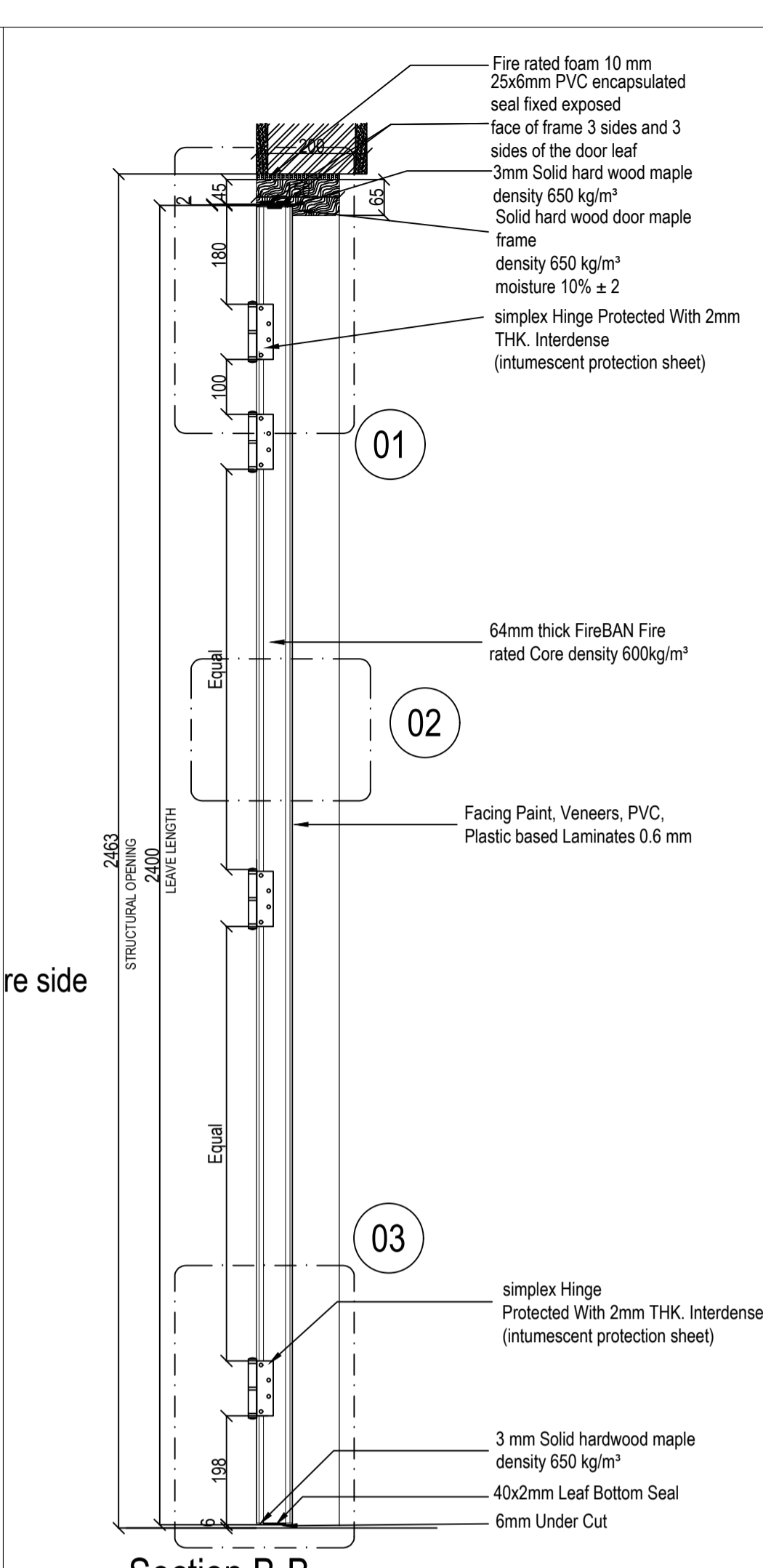


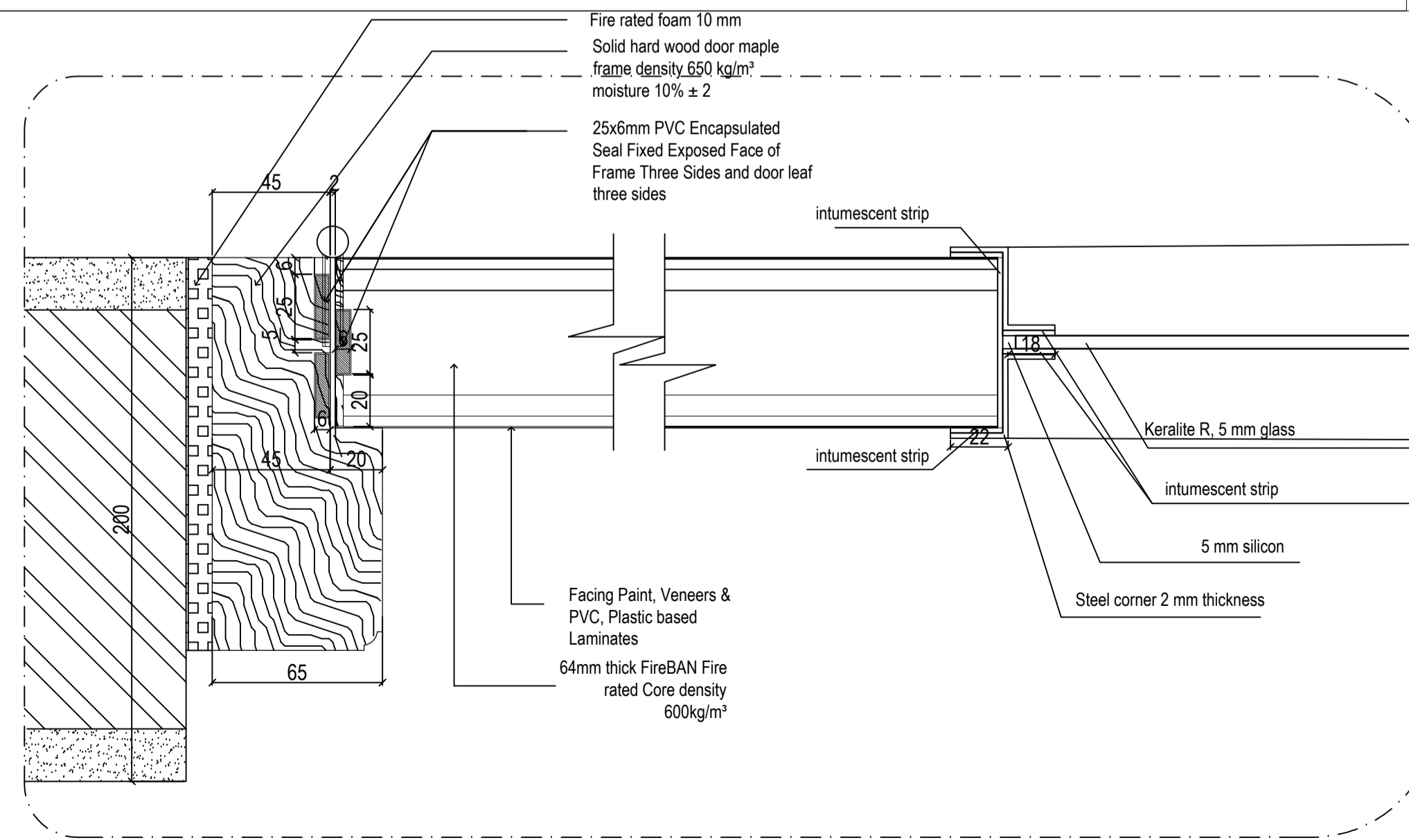
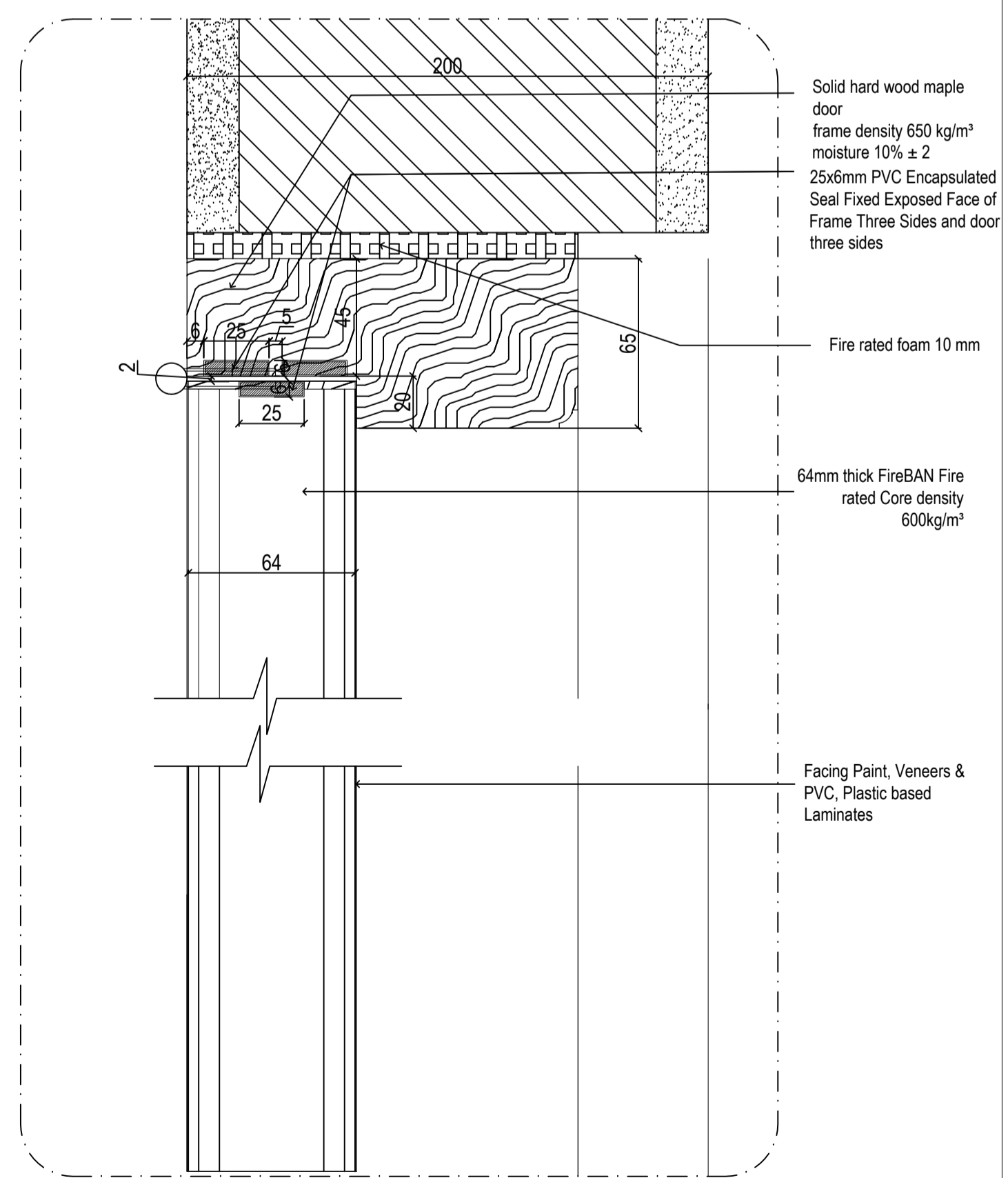
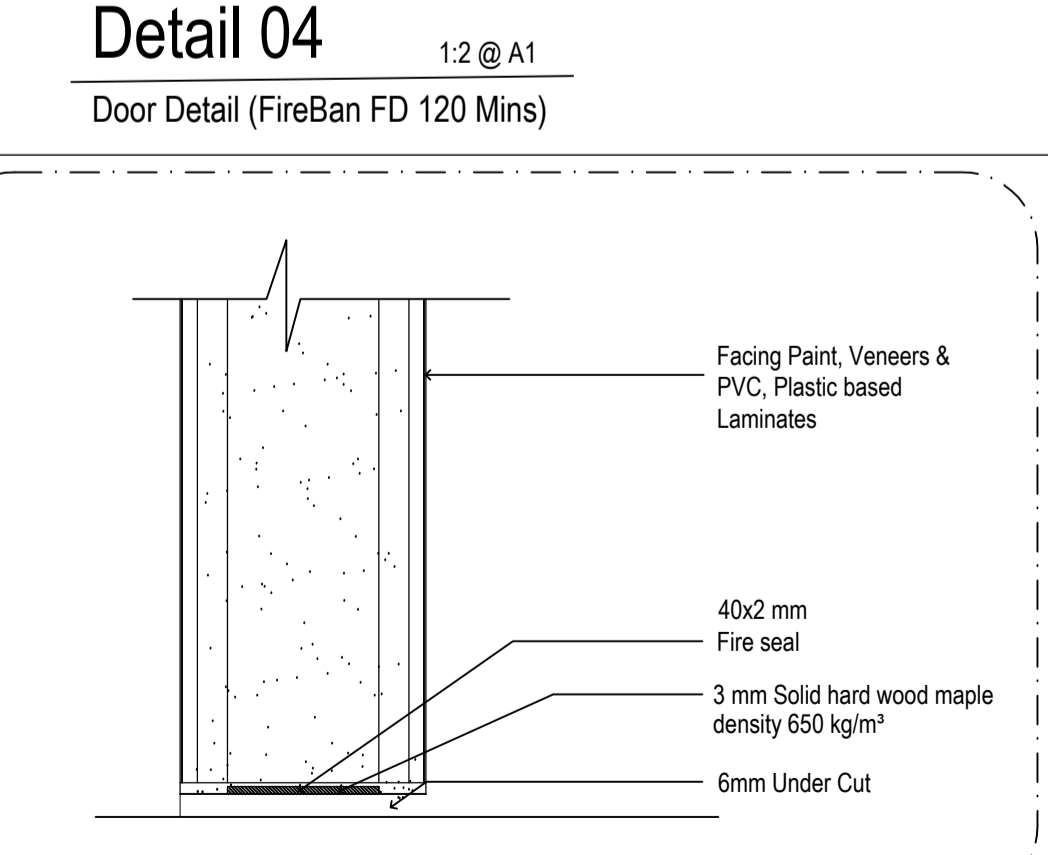
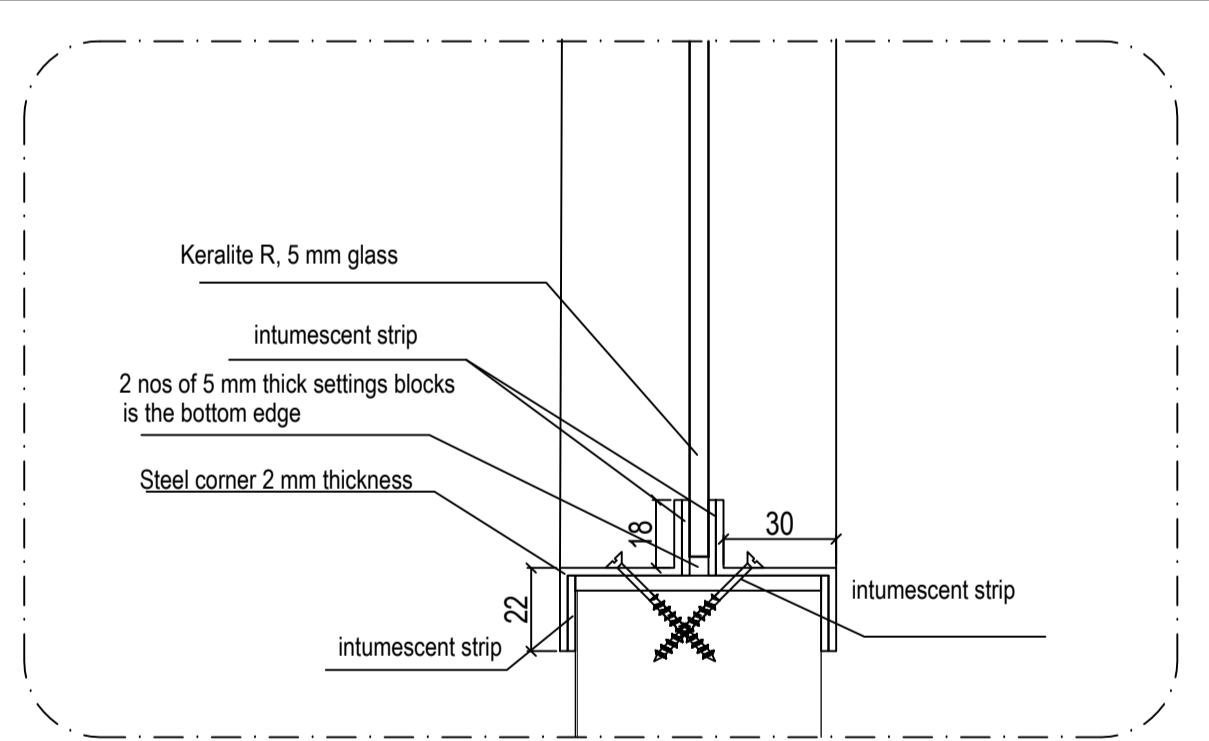
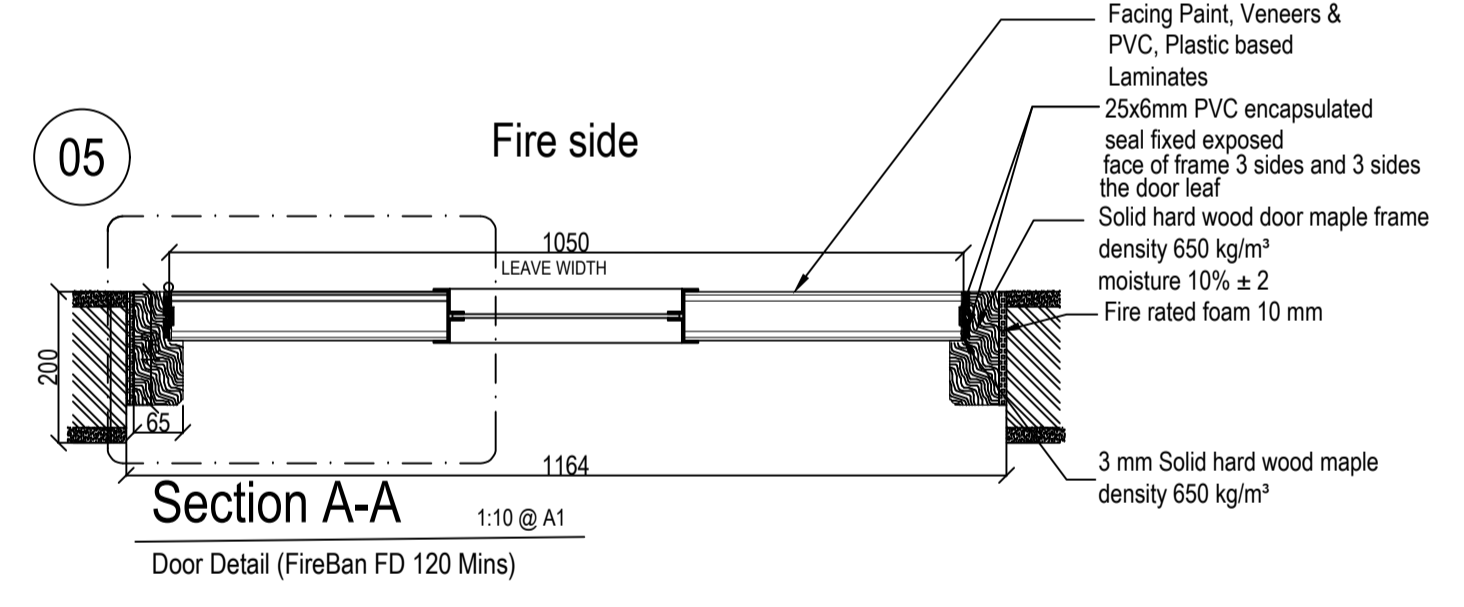
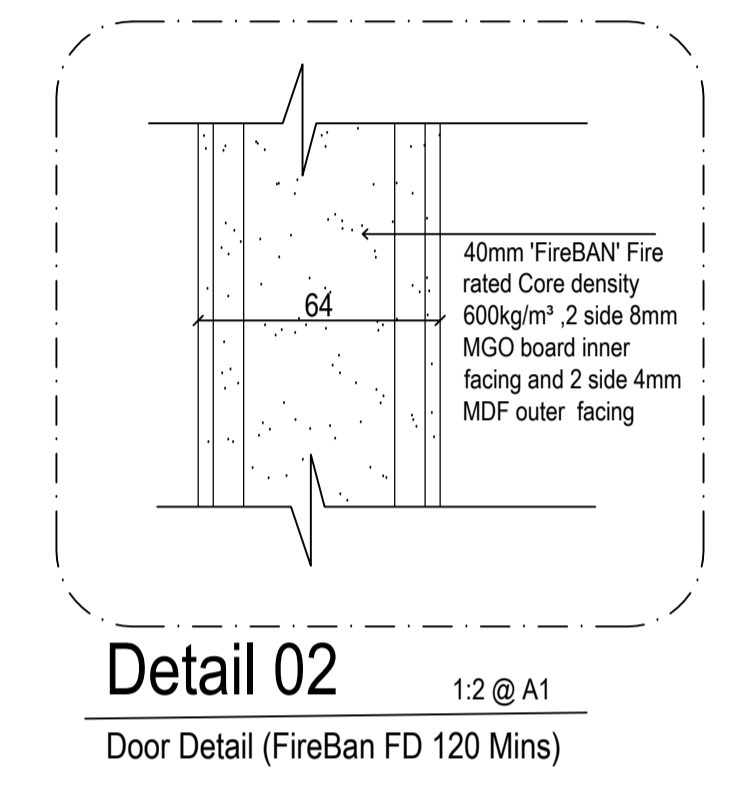
**A Elevation** 1:10 @ A1  
Door Detail (FireBan FD 120 Mins)



**Section C-C** 1:10 @ A1  
Door Detail (FireBan FD 120 Mins)



**Section B-B** 1:10 @ A1  
Door Detail (FireBan FD 120 Mins)



GENERAL NOTE:  
1. ALL DIMENSIONS ARE IN MILLIMETERS & LEVELS ARE IN METERS UNLESS NOTED OTHERWISE.  
2. ALL MEASUREMENTS ARE PER SITE CONDITION

SHOP DRAWING APPROVAL STATUS

A  APPROVED      B  APPROVED AS NOTED  
C  REVISE AND RESUBMIT      D  NOT APPROVED

DISCIPLINE	ARCHITECT	CIVIL / STRUCTURAL ENGINEER	MECHANICAL / PLUMBING ENGINEER	ELECTRICAL ENGINEER	MEDICAL EQUIPMENT ENGINEER	OTHERS
NAME INITIALS						
SIGNATURE						
DATE						

**64mm Fire Door FD120 Single Acting Single Door with vision panel**



REV	DATE	DESCRIPTION	DRAWN	CHKD
REVISIONS				

- GENERAL NOTES**
- Note 1 : Frame material - Hardwood ≥ 650 kg/m<sup>3</sup> Density @ 10% m/c ± 2%
  - Note 2 : Lipping material - Hard wood ≥ 650 kg/m<sup>3</sup> Density @ 10% M/C ± 2%
  - Note 3 : Under cut of door standardized for 6mm.
  - Note 4 : 3 Intumescent seal 25\*6 mm can be fitted on the frame and door leaf on 3 sides for fire rated doors.
  - Note 5 : Glue line options for Lipping
  - Note 6 : Finish can be Paint, Veneers & PVC, Plastic Laminates, Decorative Paper (non metallic foil)
  - Note 7 : Fixing method for door leaf using PU glue
  - Note 8 : Glue : material : polyurethane adhesive /brand name fevicol 1K, PUR adhesive

DRAWN BY: LD	JOB No.:	DATE: 02/02/2016
CHECKED BY:	SCALE:	SHEET SIZE: A1
SHOP DRG. No.:	REVISION No.:	