

CONSORT

ARCHITECTURAL HARDWARE

UNITED KINGDOM

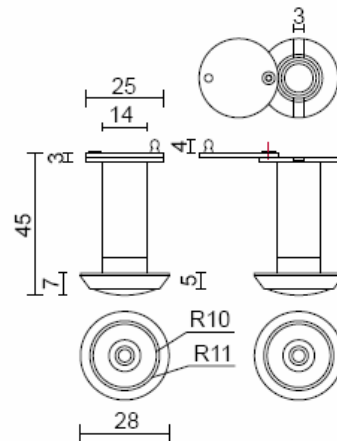
UAE

QATAR

KSA

SOUTH AFRICA

Item Code: CDV35
Description: 200 Degree Door Viewer
Finishes: Satin Chrome Plate



Data Specifications: Door Viewer with shutter, for 35-55mm Door Thickness, 200-degree Angle of Vision.

Dimensions: Depth: 45 mm
Diameter: 28mm

Finishes: SNP Satin Nickel Plate.
PCP Polished Nickel Plate
SCP Satin Chrome Plate
PB Polished Brass.

Brand: Consort
Country: UK
Website: www.consort-hw.com

Contact Details: **DUBAI**
Consort Middle East LLC
PO Box 19186 Dubai UAE
TEL: 04 446 0900
FAX: 04 446 0999
email: info@consortme.ae

UNITED KINGDOM
Consort Architectural Hardware Limited
29/31 Lower Loveday St. Birmingham , B19 3SB –UK
+44(0) 121 359 8189
+44(0) 121 359 5172
info@consort-hw.com