

STS680

The Universal Solution for Standard Doors

Simplex STS680 economical low cost door closer which can be universally used on all common door types.

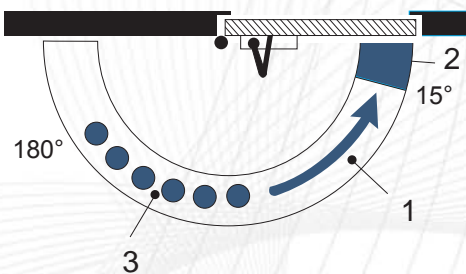
It is particularly quick and easy to install. Aluminum pressured die cast body hardened rack and pinion. Mechanism and high-performance hydraulic thermostatic oil. STS680 has been EN1154 Certified and hence suitable for fire doors.

Standard Features

One model for three sizes EN 2, 3 & 4; adjustable closing speed in two independent ranges. Reversible, non handed, universal application, compact design.

The closer arm's power shoe and changes in installation allow easy selection of the closing force to suit various door sizes.

Standard and optional functions

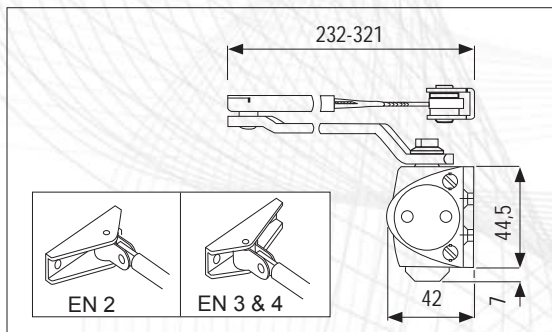
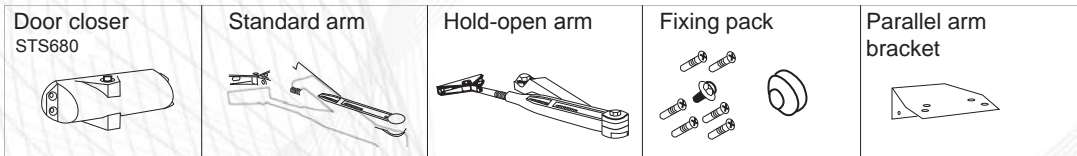
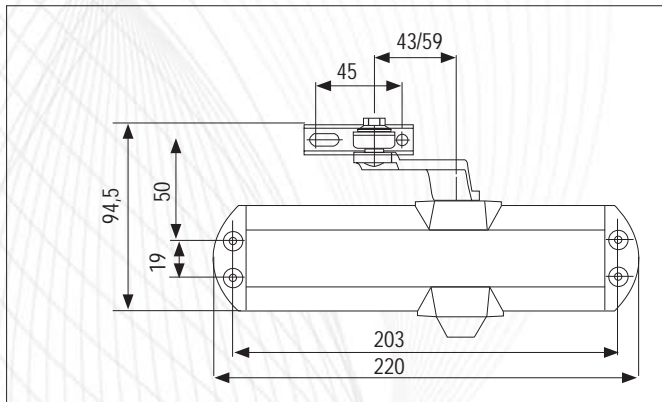


- 1 Adjustable closing speed in the range 180° - 15°.
- 2 Adjustable latching speed in the range 15° - 0°.
- 3 Hold-open range with hold-open arm model (Optional extra).
- 4 Optional stainless steel cover.

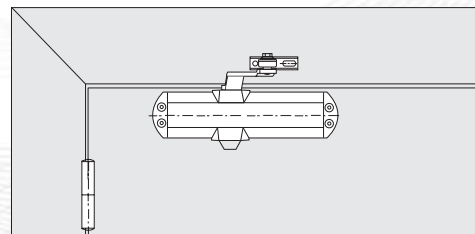
Data and Features		STS680						
Selectable closing force	Size	EN 2/3/4						
Standard Doors width								
850 mm	45 kg (100 lbs)	2						
950 mm	60 kg (132 lbs)	3						
1100 mm	80 kg (176 lbs)	4						
External doors, outward opening		•						
Non-handed		•						
Arm	Standard	•						
	Parallel	○						
	Hold-open	○						
Closing speed adjustable via 2 independent valves	180° - 15° 15° - 0°	•						
Backcheck		-						
Delayed action		-						
Material Extruded Aluminum Body		•						
Dimensions in mm	Length	220						
	Height	50						
	Projection	42						
Door Closer Tested to EN1154 1996:2002		<table border="1"> <tr> <td>4</td> <td>8</td> <td>2/4</td> <td>1</td> <td>1</td> <td>3</td> </tr> </table>	4	8	2/4	1	1	3
4	8	2/4	1	1	3			

• Yes - No ○ Option

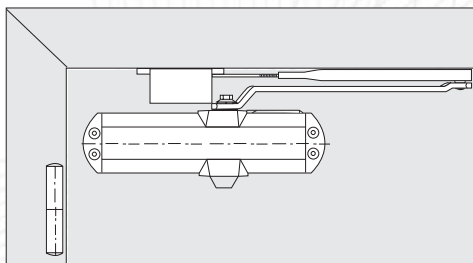




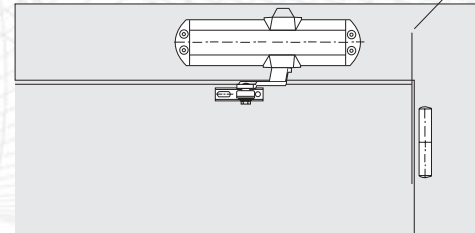
Regular Arm Pull Side - on the pull side Door leaf fixing (standard)



Parallel Arm Pull Side - for parallel arm assembly (for installation dimensions, see fixing instructions)



Top Jamb Push Side - on the push side Transom fixing (overhead installation)



Each unit is supplied with detailed installation instructions and packed with fasteners.

Cover optional



FINISHES



STS720

The Universal Solution for Standard Doors

Simplex STS720 softline closer designed as mid-range product with the choice of the most popular options, concise and cost effective.

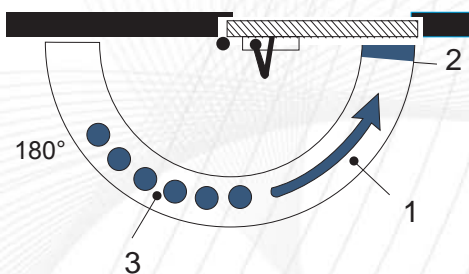
Comprehensive choice with outstanding versatility. Compact closer design with flat form arm assembly. Offers extra strength and reliability. The Four-way of arm mounting gives where style, finish and performance are required. Provides a cushion effect when the door is forcible thrown open but does not serve as substitutes for a door stop.

Standard Features

Two models with adjustable closing force EN 2 to 4 and EN 4-6 successfully tested to BS EN 1154 Certified and hence valid to use on fire and smoke doors. Adjustable power enables the closing force to be adjusted to conform to the DDA as detailed in BS8300 without comprising fire safety.

Non handed, Reversible, universal applications, compact design. Adjustable sweeping speed and latching speed. It is particularly quick and easy to install. Aluminum injected body hardened rack and pinion. Full softline silver cover with flat form arm.

Standard and optional functions

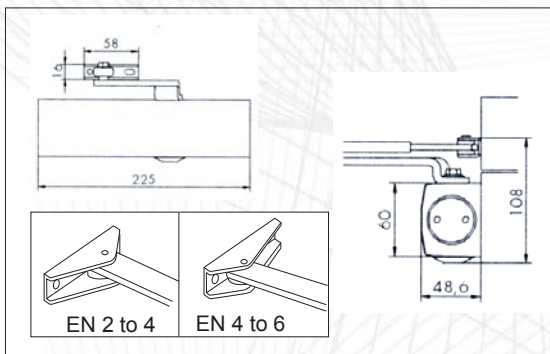
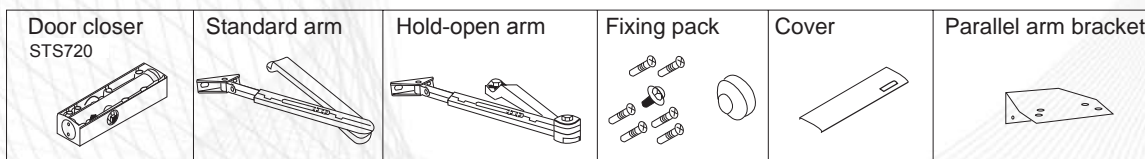
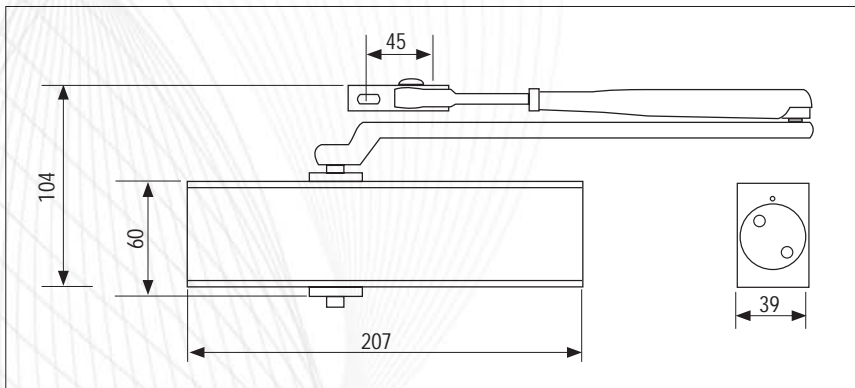


- 1 Adjustable closing speed in the range 180° - 15°.
- 2 Adjustable latching speed in the range 15° - 0°.
- 3 Hold-open range with hold-open arm model (Optional extra).
- 4 Optional stainless steel cover.

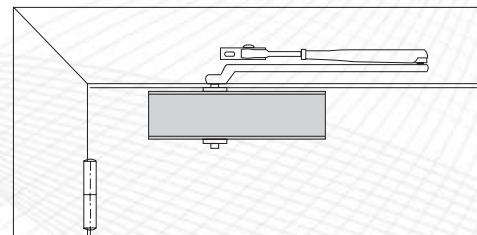
Data and Features		STS720-4	STS720-6
Valuable closing force	Spring strength (EN)	2 to 4	4 to 6
Standard doors	≤ 850mm ≤ 40kg	STS720	x
	≤ 950mm ≤ 60kg	STS720	x
	≤ 1100mm ≤ 80kg	STS720	STS720
	≤ 1250mm ≤ 100kg	x	STS720
	≤ 1450mm ≤ 120kg	x	STS720
Body dimensions (mm)	Length	207	207
	Height	60	60
	Projection	39	39
Arm	Standard	✓	✓
	Parallel	○	○
	Track (standard)	○	○
	Track (hold-open)	○	○
Track and pinion		✓	✓
Power shoe arm bracket		✓	✓
Angle of opening		180°	180°
Power adjustable by spring		✓	✓
Power adjustable by position		x	x
Sweep speed adjustable		✓	✓
Latching speed adjustable		✓	✓
Hold-open	Built in	x	x
	Hold open arm	○	○
Back check	Self-regulating	○	○
	Adjustable at Valve	○	○
Non-handed		✓	✓
With cover		○	○
Application	Regular (1)	✓	✓
	Parallel arm (66)	○	○
	Transom (61)	✓	✓
Guarantee years		5 years	5 years

✓ = yes x = no ○ = optional

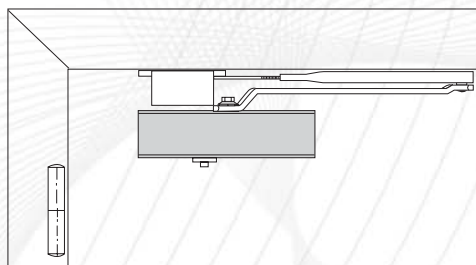




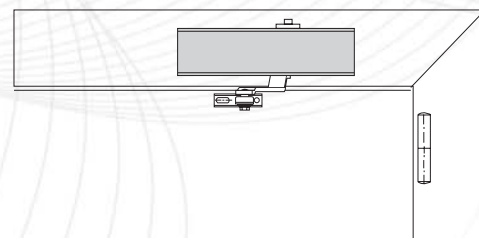
Regular Arm Pull Side - on the pull side Door leaf fixing (standard)



Parallel Arm Pull Side - for parallel arm assembly (for installation dimensions, see fixing instructions)



Top Jamb Push Side - on the push side Transom fixing (overhead installation)



Each unit is supplied with detailed installation instructions and packed with fasteners.

Stainless Steel Cover



FINISHES



SDC24915

The Control Solution for Standard Doors

Simplex SDC24915 softline closer identified as multi-purpose door closer used on interior and exterior standard doors.

Compact stylish classic closer design with rectilinear body which shows unique assembly. Anti-corrosion protection for external weather conditions. Provides a cushion effect when the door is forcible thrown open but does not serve as substitutes for a door stop.

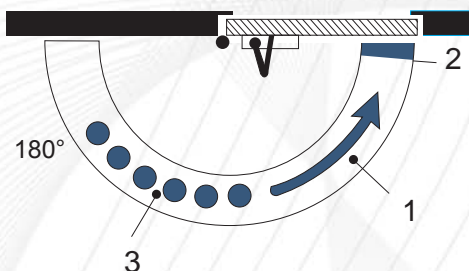
It has all the characteristics of performance, durability and quality that specifiers have come to expect from a Simplex door control.

Standard Features

One model with adjustable closing force EN 2 to 4 successfully tested to BS EN 1154 Certified and hence valid to use on fire and smoke doors. Adjustable power enables the closing force to be adjusted to conform to the DDA as detailed in BS8300 without comprising fire safety.

Non handed, Reversible, universal applications, compact design. Adjustable sweeping speed and latching speed. It is particularly quick and easy to install. High strength Extruded aluminum injected body hardened rack and pinion with leak proof seal.

Standard and optional functions



- 1 Adjustable closing speed in the range 180° - 15°.
- 2 Adjustable latching speed in the range 15° - 0°.
- 3 Hold-open range with hold-open arm model (optional extra).

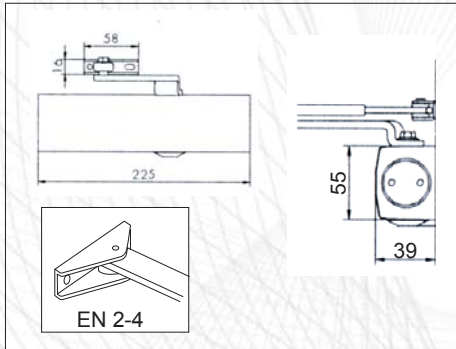
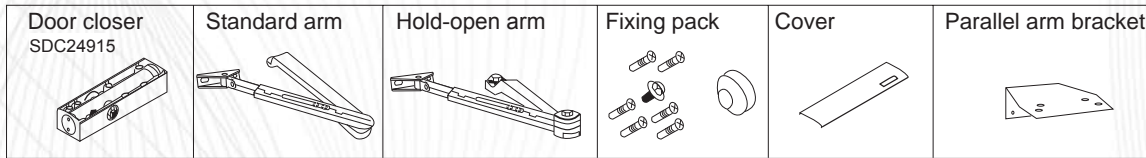
Data and Features		SDC24915
Selectable closing force	Size	EN 2 to 4
Standard Doors width		
850 mm	45 kg (100 lbs.)	2
950 mm	60 kg (132 lbs.)	3
1100 mm	80 kg (176 lbs.)	4
External doors, outward opening		•
Non-handed		•
Arm	Standard	•
	Parallel	○
	Hold-open	○
Closing speed adjustable via 2 independent valves	180° - 15° 15° - 0°	•
Backcheck	adjustable at valve self-regulating	○ -
Delayed action		○
Material Cast Aluminum Body		•
Dimensions in mm		Length 236 Height 55 Projection 39

Door Closer Tested to EN1154 1996:2002

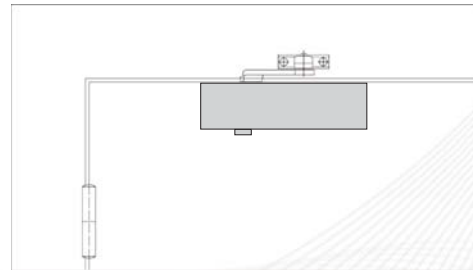
4	8	2/5	1	1	3
---	---	-----	---	---	---

Yes
 No
 Option

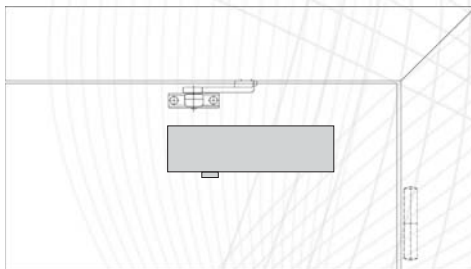




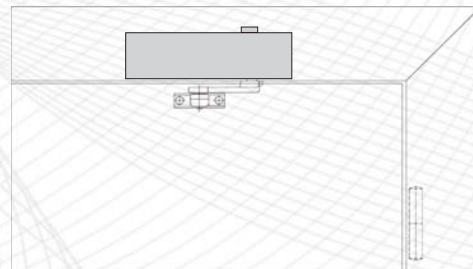
Regular Arm Pull Side - on the pull side Door leaf fixing (standard)



Parallel Arm Pull Side - for parallel arm assembly (for installation dimensions, see fixing instructions)



Top Jamb Push Side - on the push side Transom fixing (overhead installation)



Each unit is supplied with detailed installation instructions and packed with fasteners.

FINISHES



The Universal Solution for Standard Doors

Simplex SDC25915 stylish classic design closer identified as multi-purpose door closer used on interior and exterior standard doors.

Compact stylish classic closer design with full stainless steel cover and flat form stainless steel arm which shows unique assembly. Anti-corrosion protection for external weather conditions. Provides a cushion effect when the door is forcible thrown open but does not serve as substitutes for a door stop.

It has all the characteristics of performance, durability and quality that specifiers have come to expect from a Simplex door control.

Standard Features

Standard and optional functions

